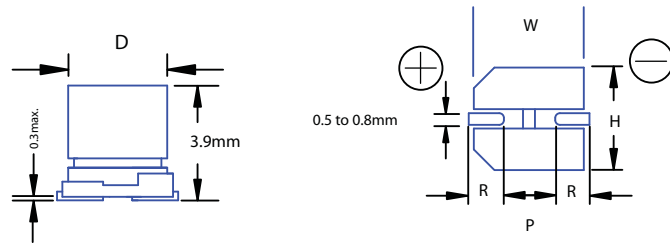


FEATURES

- LOW PROFILE 3.9mm HEIGHT
- SMALL SIZES
- LIFE UP TO 1000Hrs @ 105C
- DESIGNED FOR AUTOMATIC MOUNTING
- SOLVENT RESISTANT



PART NUMBERING

Part Number Example: **MXWP-025/220M6X3TR13FG**

| MXWP | - | 025 | / | 220 | M | 6X3 | TR | 13 | F | G |
|------|------------------|------------------------|----------------|------|----------------|-----------|----------------|---------|---|---|
| Type | Rated DC Voltage | Capacitance Code (μF)* | Tolerance Code | Size | Package Code** | Reel Size | RoHs Compliant | pb Free | | |

* Capacitance Code: First two digits represent significant figure, third digit represents multiplier (number of zeros).
** Package Code: TR = Tape & Reel.

SPECIFICATIONS

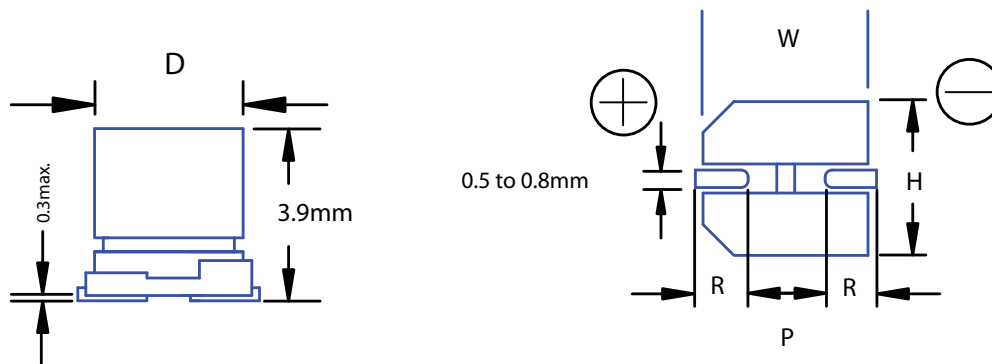
| Performance Characteristics | | | | | | | |
|--|----------------------|--|----|----|----|----|----|
| Operating Temperature Range | -40°C ~ +105°C. | | | | | | |
| Voltage Range | 6.3VDC ~ 50VDC. | | | | | | |
| Capacitance Range | 1.0μF ~ 100μF. | | | | | | |
| Capacitance Tolerance | ±20%. | | | | | | |
| Maximum Dissipation Factor (20°C, 120Hz) | Rated Voltage (WVDC) | 6.3 | 10 | 16 | 25 | 35 | 50 |
| | DF% | 38 | 32 | 20 | 16 | 14 | 14 |
| Maximum Leakage Current (20°C) (after 2 minutes) | 0.01CV. | | | | | | |
| Load Life Test (85°C, 1000 hours) | Capacitance Change | Within ±30% of initial measured value. | | | | | |
| | DF% | Less than 300% of specified value. | | | | | |
| | Leakage Current | Within maximum specified value. | | | | | |

STANDARD PRODUCT TABLE (dØ X L(mm))

| Cap. (μF) | WVDC | | | | | |
|-----------|-----------|-----------|-----------|-----------|-----------|-----------|
| | 6.3 | 10 | 16 | 25 | 35 | 50 |
| 1.0 | | | | | | 5 x 3.9 |
| 2.2 | | | | | | 5 x 3.9 |
| 3.3 | | | | | | 5 x 3.9 |
| 4.7 | | | | 5 x 3.9 | 5 x 3.9 | 5 x 3.9 |
| 10 | | | 5 x 3.9 | 5 x 3.9 | 5 x 3.9 | 6.3 x 3.9 |
| 22 | 5 x 3.9 | 5 x 3.9 | 6.3 x 3.9 | 6.3 x 3.9 | 6.3 x 3.9 | |
| 33 | 5 x 3.9 | 6.3 x 3.9 | 6.3 x 3.9 | 6.3 x 3.9 | | |
| 47 | 6.3 x 3.9 | 6.3 x 3.9 | 6.3 x 3.9 | | | |
| 68 | 6.3 x 3.9 | | | | | |
| 100 | 6.3 x 3.9 | | | | | |

MAXIMUM RIPPLE (mA rms @ 120Hz & 105°C)

| Cap. (µF) | WVDC | | | | | |
|-----------|------|----|----|----|----|----|
| | 6.3 | 10 | 16 | 25 | 35 | 50 |
| 1.0 | | | | | | 18 |
| 2.2 | | | | | | 29 |
| 3.3 | | | | | | 18 |
| 4.7 | | | | 25 | 30 | 29 |
| 10 | | | 35 | 45 | 50 | 49 |
| 22 | 33 | 40 | 50 | 50 | 60 | |
| 33 | 40 | 60 | 55 | 60 | | |
| 47 | 60 | 70 | 55 | | | |
| 68 | 70 | | | | | |
| 100 | 85 | | | | | |



DIMENSIONS (mm)

| $D +0.5$ | $W \pm 0.2$ | $H \pm 0.2$ | R | $P \pm 0.2$ |
|----------|-------------|-------------|-------------|-------------|
| 5.0 | 5.3 | 5.3 | 2.1 ~ 2.5 | 1.4 |
| 6.3 | 6.6 | 6.6 | 2.35 ~ 2.75 | 2.2 |