

FEATURES

- 3mm DIAMETER
- GENERAL PURPOSE
- 2000Hr LIFE
- DESIGNED FOR AUTOMATIC MOUNTING
- SOLVENT RESISTANT



PART NUMBERING

Part Number Example: MXS-025/4R7M3X5TR13F										
MXS	-	025	/	4R7	M	3X5	TR	13	F	
Type		Rated DC Voltage		Capacitance Code (μF)*	Tolerance Code	Size	Package Code**	Reel Size	RoHs Compliant	
* Capacitance Code: First two digits represent significant figure, third digit represents multiplier (number of zeros).										
** Package Code: TR = Tape & Reel.										

SPECIFICATIONS

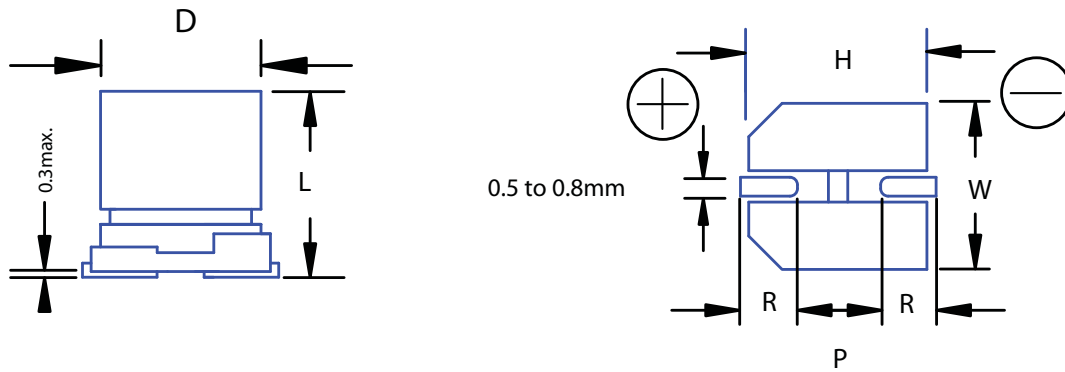
Performance Characteristics							
Operating Temperature Range	-40°C ~ +85°C.						
Voltage Range	4VDC ~ 50VDC.						
Capacitance Range	1.0μF ~ 22μF.						
Capacitance Tolerance	±20%.						
Maximum Dissipation Factor (20°C, 120Hz)	Rated Voltage (WVDC)	4	6.3	16	25	35	50
	DF%	40	30	19	16	14	14
Maximum Leakage Current (20°C) (after 2 minutes)	0.01CV or 3μA, whichever is greater.						
Load Life Test (85°C, 2000 hours)	Capacitance Change	Within ±25% of initial measured value.					
	DF%	Less than 200% of specified value.					
	Leakage Current	Within maximum specified value.					

STANDARD PRODUCT TABLE (dØ X L(mm))

Cap. (μF)	WVDC					
	4	6.3	16	25	35	50
1.0						3 X 5.4
2.2					3 X 5.4	3 X 5.4
3.3					3 X 5.4	
4.7				3 X 5.4		
10			3 X 5.4			
22	3 X 5.4	3 X 5.4				

MAXIMUM RIPPLE (mA rms @ 120Hz & 85°C)

Cap. (μF)	WVDC					
	4	6.3	16	25	35	50
1.0						8
2.2					8	10
3.3					10	
4.7				12		
10			18			
22	19	19				



DIMENSIONS (mm)

D +0.5	L ± 0.3	W ± 0.2	H ± 0.2	R	P ± 0.2
3.0	5.4	3.3	3.3	1.64 ~1.66	0.6