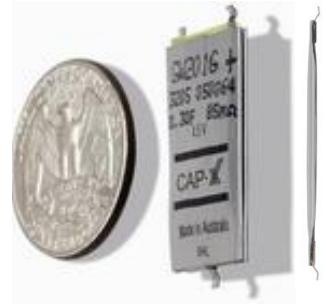


CAP-XX

Supercapacitors



Product Guide

2015

Version: 3.0





Contents & Revision History

Contents

1. Key Features of CAP-XX Supercapacitors.....	3
2. Typical Applications	3
3. Product Range.....	3
4. G Series Product Specifications.....	4
5. H Series Product Specifications.....	5
6. Storage & Operation Metrics.....	6
7. Energy & Power Density	7
8. Product Names.....	7
9. Product Markings.....	8
“S” & “W” Dual Cells.....	8
“S” & “W” Single Cells	8
“A” Dual Cells.....	8
“A” Single Cells	8
10. Batch Codes	9
“S”, “W” & “A” series devices	9
11. Transportation & Storage.....	9
IATA Dangerous Goods Regulations.....	9
Storage Conditions	9
12. Packaging & Package Quantities.....	10
Packaging for Shipment.....	10
Packing Tray for “S” series devices	10
Packing Tray for “W” series devices	11
Packing Tray for “A” series devices	11
13. Cautions Before Use.....	12
14. Soldering & Assembly.....	12
Placement.....	12
Soldering.....	12
Washing.....	13
Drying.....	13
Conformal Coatings & Potting.....	13
15. Safety	14
Failure modes	14
Resistance to Shock	14
Resistance to Vibration	14
Drop-Test.....	14
Exposure to an Open Flame	15
Exposure to Heat	15
Pressure.....	15
Puncture.....	15
16. Dimensional Stability & Low Pressure Environments	16
17. Response to Over-Temperature Events.....	16
18. Certifications & Compliances	16
ISO 9001-2008.....	16
Underwriter’s Laboratory (UL 810A)	16
RoHS	16
REACH	16
Rare Earth Metals & Conflict Metals	17
Halogens.....	17



Contents & Revision History

19. Notes & Disclaimers	17
20. Product Drawings: Mechanical & Electrical	18
“S” Package Dual Cell Devices	18
“W” Package Dual Cell Devices	19
“A” Package Dual Cell Devices	20
“S” Package Single Cell Supercapacitors	21
“W” Package Single Cell Supercapacitors	22
“A” Package Single Cell Supercapacitors	23
21. Contact Information	24
Principal Office	24
Sales & Product Enquiries	24
Distributors	24

Revision History

Release	Release Date	Author
v1.0	February 18, 2013	Peter Buckle
v1.1	April 3, 2013	Peter Buckle
v2.0	July 1, 2014	Peter Buckle
v2.1	July 14, 2015	Bernd Failenschmid
v2.2	August 24, 2015	Bernd Failenschmid
V3.0	October 12, 2015	Pierre Mars

1. Key Features of CAP-XX Supercapacitors

- **Ultra-thin** prismatic cells and modules: Ideal for use in space-constrained devices
- Exceptional **power density** (up to **158 kW/litre**), with best-in-class **ESR (from 10 mΩ)**
- High **energy density** (up to **2.2 Wh/litre**), offering high **Capacitance** in small cells
- True, **continuous operating voltage** of up to **2.75V/cell** (H series; 2.9V peak)
- **High temperature rating** (H series; **85°C maximum**)
- Excellent **low temperature performance** (G series; ~2x nominal ESR at -30°C)
- Very **low leakage current (<1 μA)** and **ultra-low minimum charge current (<20 μA)**
- Virtually **unlimited charge-discharge cycle life**
- Excellent **frequency response** ($C_{EFFECTIVE}$)
- **RoHS** and **REACH** compliant, Lead-free, Halogen-free and Conflict metal-free
- **UL-810** and **ISO 9001-2008** certified

2. Typical Applications

- **Peak power for pulsed loads**
 - ✓ Isolate the source from fluctuations in the load (input smoothing).
 - ✓ Extend battery life and run-time, especially when “old or cold”.
 - ✓ Enable the use of cheaper, smaller, lower power batteries.
- **Ride-through power for mission-critical applications**
 - ✓ Isolate the load from fluctuations in the source (output smoothing).
 - ✓ Remove the need for back-up batteries and impact-resistant connectors.
 - ✓ Provide a low maintenance, uninterruptable on-board power supply.
- **Energy storage for energy harvesters and quick charge power supplies**
 - ✓ Environmentally friendly, low maintenance alternative to rechargeable batteries.
 - ✓ Efficient charging, with minimal losses, from variable / low power sources.
 - ✓ Ultra-quick charging via cable, cradle or induction to maximize operating time.

3. Product Range

Cells or Modules:

Choose from:

- Single cells, for ultra-thin designs & primary batteries/harvesters; or
- Dual cell modules, for rechargeable batteries & USB power supplies.

Series:

G series devices operate at 2.5V/cell (2.75V peak) and have an operating temperature range of -40°C to +70°C.

H series devices operate at 2.75V/cell (2.9V peak) and have a maximum operating temperature of +85°C.

Packages:

- “S” = 39.0mm x 17.0mm
- “W” = 28.5mm x 17.0mm
- “A” = 20.0mm x 18.0mm



4. G Series Product Specifications

Dual cell modules (2 cells connected in series)						
Voltage & Temperature	Product Name ¹	CAP ² (± 20%) ³	ESR ² (± 20%) ³	Body Size (mm)	Thickness ⁴ (max)	Package Quantity
5.0V_{nominal} 5.5V_{peak} -40°C to +70°C T_{max} = 70°C	GA209F	85 mF	85 mΩ	20.0 x 18.0	2.0 mm	500
	GA230F	400mF	60mΩ		3.5mm	500
	GW209F	160 mF	45 mΩ	28.5 x 17.0	2.0 mm	300
	GW202F	200 mF	36 mΩ		2.4 mm	300
	GW201F	400 mF	45 mΩ		2.5 mm	300
	GW203F	520 mF	36 mΩ		3.0 mm	300
	GS203F	270 mF	30 mΩ	39.0 x 17.0	2.0 mm	200
	GS206F	680 mF	30 mΩ		2.5 mm	200
	GS208F	900 mF	20 mΩ		3.0 mm	200
	GS230F	1200 mF	20 mΩ		3.5 mm	200

Single cell devices (available to order)						
Voltage & Temperature	Product Name ¹	CAP ² (± 20%) ³	ESR ² (± 20%) ³	Body Size (mm)	Thickness ⁴ (max)	Package Quantity
2.5V_{nominal} 2.75V_{peak} -40°C to +70°C T_{max} = 70°C	GA109F	170 mF	40 mΩ	20.0 x 18.0	1.0 mm	2,000
	GA130F	800mF	30mΩ		1.7mm	2,000
	GW109F	320 mF	22 mΩ	28.5 x 17.0	1.0 mm	2,000
	GW102F	400 mF	18 mΩ		1.2 mm	2,000
	GW101F	800 mF	24 mΩ		1.2 mm	2,000
	GW103F	1040 mF	18 mΩ		1.5 mm	2,000
	GS103F	540 mF	14 mΩ	39.0 x 17.0	1.0 mm	2,000
	GS106F	1360 mF	14 mΩ		1.2 mm	2,000
	GS108F	1800 mF	10 mΩ		1.5 mm	2,000
	GS130F	2400 mF	10 mΩ		1.7 mm	2,000

Parameter	Name	Condition	Minimum	Nominal	Maximum
Leakage Current ⁵	I _L	23°C		1μA/F (cell)	2μA/F (cell)
RMS Current	I _{RMS}	23°C			4A – 8A
Pulse Current ⁶	I _{peak}				30A
ESR change with Temperature		Min @ +70°C Max @ -40°C	75% of nominal		200% of nominal

Notes

- Dual cell products are typically available ex-stock (Standard products). Single cells are available to order.
- Capacitance will decline and ESR will rise over time, at a rate which depends on temperature and voltage. Continuous operation at high temperature & voltage is not recommended. See Section 6 for more information on ageing and endurance.
- DC capacitance and ESR tolerance are measured at 23°C.
- Thickness is measured between two parallel plates with 140gm force applied.
- Leakage current is measured after charging to nominal voltage for 120hrs at 23°C.
- Single pulse, non-repetitive current (positive & negative terminal short-circuited).

5. H Series Product Specifications

Dual cell modules (2 cells connected in series)						
Voltage & Temperature	Product Name ¹	CAP ² (± 20%) ³	ESR ² (± 20%) ³	Body Size (mm)	Thickness ⁴ (max)	Package Quantity
5.5V _{nominal} 5.8V _{peak} -40°C to +70°C T _{max} = 85°C	HA202F	120 mF	110 mΩ	20.0 x 18.0	2.4 mm	500
	HA230F	400 mF	120 mΩ		3.5 mm	500
	HW209F	150 mF	90 mΩ	28.5 x 17.0	2.0 mm	300
	HW202F	200 mF	65 mΩ		2.4 mm	300
	HW201F	380 mF	90 mΩ		2.5 mm	300
	HW203F	500 mF	70 mΩ		3.0 mm	300
	HS203F	250 mF	50 mΩ	39.0 x 17.0	2.0 mm	200
	HS206F	650 mF	50 mΩ		2.5 mm	200
	HS208F	900 mF	40 mΩ		3.0 mm	200
	HS230F	1200 mF	40 mΩ		3.5 mm	200

Single cell devices (available to order)						
Voltage & Temperature	Product Name ¹	CAP ² (± 20%) ³	ESR ² (± 20%) ³	Body Size (mm)	Thickness ⁴ (max)	Package Quantity
2.75V _{nominal} 2.9V _{peak} -40°C to +70°C T _{max} = 85°C	HA102F	240 mF	55 mΩ	20.0 x 18.0	1.2 mm	2,000
	HA130F	800 mF	60 mΩ		1.7 mm	2,000
	HW109F	300 mF	45 mΩ	28.5 x 17.0	1.0 mm	2,000
	HW102F	400 mF	32 mΩ		1.2 mm	2,000
	HW101F	760 mF	45 mΩ		1.2 mm	2,000
	HW103F	1000 mF	34 mΩ		1.5 mm	2,000
	HS103F	500 mF	26 mΩ	39.0 x 17.0	1.0 mm	2,000
	HS106F	1300 mF	26 mΩ		1.2 mm	2,000
	HS108F	1800 mF	20 mΩ		1.5 mm	2,000
	HS130F	2400 mF	20 mΩ		1.7 mm	2,000

Parameter	Name	Condition	Minimum	Nominal	Maximum
Leakage Current ⁵	I _L	23°C		1μA / cell	2μA / cell
RMS Current	I _{RMS}	23°C			3A – 6.5A
Pulse Current ⁶	I _{peak}				30A
ESR change with Temperature		Min @ +70°C Max @ -40°C	75% of nominal		250% of nominal

Notes

- Dual cell products are typically available ex-stock (Standard products). Single cells are available to order.
- Capacitance will decline and ESR will rise over time, at a rate which depends on temperature and voltage. Continuous operation at high temperature & voltage is not recommended. See Section 6 for more information on ageing and endurance.
- DC capacitance and ESR tolerance are measured at 23°C.
- Thickness is measured between two parallel plates with 140gm force applied.
- Leakage current is measured after charging to nominal voltage for 120hrs at 23°C.
- Single pulse, non-repetitive current (positive & negative terminal short-circuited).

6. Storage & Operation Metrics

Parameter	Condition	Metric	G Series	H Series	Notes
Operating temperature	Maximum operating temperature	T_{max} (°C)	70°C	85°C	Brief excursions to T_{max} will not damage the device.
	Recommended operating temperature range	T_{cont} (°C)	-40°C to +70°C	-40°C to +70°C	Continuous operation at T_{max} is not recommended.
Shelf life	Recommended storage temperature & humidity	T_{shelf} (°C)	23°C	23°C	CAP-XX recommends storing supercapacitors in their original packaging in an air conditioned room.
		RH_{shelf} (%)	45%	45%	
	2 years @ T_{shelf} (17,500 hrs @ 23°C)	C loss (% of initial C)	< 5%	< 10%	
		ESR rise (% of initial ESR)	< 10%	< 20%	
	Maximum recommended continuous storage temperature & humidity	$T_{shelfmax}$ (°C)	35°C	35°C	CAP-XX supercapacitors can be stored at any temperature not exceeding their maximum operating temperature (T_{max}), but storage at continuous high temperature and humidity is not recommended, and will cause premature ageing.
		$RH_{shelfmax}$ (%)	65%	65%	
2 years @ $T_{shelfmax}$ (17,500 hrs @ 35°C)	C loss (% of initial C)	< 10%	< 20%		
	ESR rise (% of initial ESR)	< 20%	< 40%		
Cycle life	500,000 cycles @ 23°C ($V_n \rightarrow \frac{1}{2}V_n$, $I = 0.5A$)	C loss (% of initial C)	< 1%	< 5%	Voltage cycling at low RMS current will not affect life.
		ESR rise (% of initial ESR)	< 1%	< 5%	Cycling at high RMS current will cause self-heating, which will increase ageing rates.
Load life	@ V_n & 23°C G series = 5.0V, 23°C H Series = 5.5V, 23°C	C loss rate (% / 1000hr)	< 1%	< 3%	Note that C loss rates & ESR rise rates are not calculated or extrapolated from 1,000 hr data.
		ESR rise rate (% of initial/1000hr)	< 1%	< 3%	
	@ 80% V_n & 80% T_{cont} G series = 4.0V, 50°C H Series = 4.5V, 50°C	C loss rate (% / 1000hr)	< 2%	< 6%	They are measured during long term life tests over periods at least 12 months.
		ESR rise rate (% of initial/1000hr)	< 4%	< 9%	
	@ V_n & T_{cont} G series = 5.0V, 70°C H Series = 5.5V, 70°C	C loss rate (% / 1000hr)	< 10%	< 15%	ESR rise rate is linear. C loss follows an exponential decay.
		ESR rise rate (% of initial/1000hr)	< 15%	< 45%	
MTTF	@ V_n & 23°C G series = 5.0V, 23°C H Series = 5.5V, 23°C	MTTF (years)	> 10	> 10	MTTF is calculated with a regression equation (Arrhenius form) from observed failures during long term life testing. Note that such calculations are inaccurate at low temperatures due to low/no observed failures.
	@ 80% V_n & 80% T_{cont} G series = 4.0V, 50°C H Series = 4.5V, 50°C	MTTF (years)	3	2	
	@ V_n & T_{cont} G series = 5.0V, 70°C H Series = 5.5V, 70°C	MTTF (years)	< 1	< 1	

7. Energy & Power Density

Parameter	Description	Metric	G Series	H Series	Notes
Energy	Full discharge from nominal voltage (V_n)	Capacity (mAh)	0.1 - 1.7	0.2 - 1.8	Capacity = $(C \times V_n) / 3.6$
	Gravimetric Energy Density	E_{grav} (Joules/kg)	1,467 – 6,857	1,927 – 8,372	$E_{grav} = (\frac{1}{2}C \times V^2) / \text{Weight}$
		E_{grav} (Wh/kg)	0.4 - 1.9	0.5 – 2.3	$E_{grav} = (\frac{1}{2}C \times V^2) / (3600 \times \text{Weight})$
Volumetric Energy Density	E_{vol} (Wh/L)	0.5 - 1.8	0.7 - 2.2	$E_{vol} = (\frac{1}{2}C \times V^2) / (3600 \times \text{Volume})$	
Power	Gravimetric Power Density	P_{grav} (kW/kg)	102 - 151	67 – 94	$P_{grav} = V_n^2 / (4 \times \text{ESR}) / \text{Weight}$
	Volumetric Power Density	P_{vol} (kW/L)	108 - 158	66 – 114	$P_{vol} = V_n^2 / (4 \times \text{ESR}) / \text{Volume}$

8. Product Names

CAP-XX products have a 6 character alpha-numeric product name in the form "GS230F". See the table below for information provided in the product name.

Note that only the first 5 characters of the product name are printed on the device.

Position	Code	Meaning	Description
1	G H	Series code	<p>"G" series are General purpose supercapacitors:</p> <ul style="list-style-type: none"> Operating temperature range: -40°C to +70°C Continuous load voltage: 2.5V / 5.0V <p>"H" series are High temperature/High voltage supercapacitors:</p> <ul style="list-style-type: none"> Operating temperature range: -40°C to +85°C Continuous load voltage: 2.75V / 5.5V
2	S W A	Package code	<p>"S" products are 39 x 17mm, excluding the terminals. "W" products are 28.5 x 17mm, excluding the terminals. "A" products are 20 x 18mm, including the terminals.</p> <p>Refer to the Section 20 for detailed information on body sizes, terminal projections and PCB layout measurements.</p>
3	1 2	Cell code	<p>"1" denotes a single cell supercapacitor. "2" denotes a dual cell supercapacitor, comprising two single cells connected in series.</p>
4, 5	Nn	Product code	An internal CAP-XX reference to denote the cell configuration.
6	F G	Mounting code	<p>"F" suffix (e.g. GS230F) indicates no adhesive tape on the underside of the device (standard configuration).</p> <p>"G" suffix (e.g. GS230G) indicates double-sided, insulating adhesive tape on the underside of the device. This option is available to order on all CAP-XX parts, and can assist with mounting, electrical isolation and extreme shock and vibration.</p>

9. Product Markings

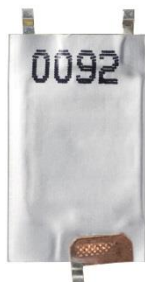
All CAP-XX products are marked with the Product Name, Batch Code, Capacitance, continuous operating Voltage, and the Positive terminal location. Some products also show the Device Number, ESR and Country of Manufacture. Dual cell modules show the Balance (mid-point) terminal location.

“S” & “W” Dual Cells (Note: previous C & ESR specification shown on picture)

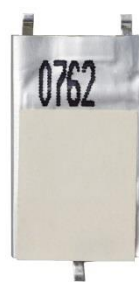
Front:



Back (“F” part):
(Standard)



Back (“G” part, with mounting tape)
(Special Order)



“S” & “W” Single Cells (Note: previous C & ESR specification shown on picture)

Front:



Back (“F” part):



“A” Dual Cells (Note: previous C & ESR specification shown on picture)

Front:



Back (“F” part):



“A” Single Cells (Note: previous C & ESR specification shown on picture)

Front:



Back (“F” part):



10. Batch Codes

“S”, “W” & “A” series devices

S, W & A products have a 6 character alpha-numeric Batch Code of the form "P2CAJ2", where:

- Position 1 = Manufacturing site code
- Position 2 = Manufacturing line number
- Position 3 = Year of manufacture
- Position 4 = Month of manufacture
- Position 5 = Day of manufacture
- Position 6 = Batch number that day on the specified line

The characters at Positions 3 - 6 indicate a number according to the following sequence:

Character	1	2	3	4	5	6	7	8	9	A	B	C	D	E	F	G
Number	1	2	3	4	5	6	7	8	9	10	11	12	13	14	15	16
Character	H	I	J	K	L	M	N	O	P	Q	R	S	T	U	V	
Number	17	18	19	20	21	22	23	24	25	26	27	28	29	30	31	

11. Transportation & Storage

IATA Dangerous Goods Regulations

Supercapacitors with an energy storage capacity of < 0.3Wh are not subject to any transportation restrictions (see IATA Dangerous Goods Regulations, 54th Edition, UN3499 in Class 9, Electrical Double-Layer Capacitors, ELDC).

All CAP-XX supercapacitors have an energy storage capacity < 0.3Wh (1,080J), and are therefore not subject to any transportation restrictions.

Storage Conditions

CAP-XX supercapacitors and assembled devices containing CAP-XX supercapacitors may be stored at temperatures of up to 70°C, but for maximum life, CAP-XX recommends storage in the original packaging, in an air conditioned room at ~23°C.

Avoid humid, acidic or alkaline storage environments and excessive external forces.

12. Packaging & Package Quantities

CAP-XX supercapacitors are shipped in stackable, anti-static trays.

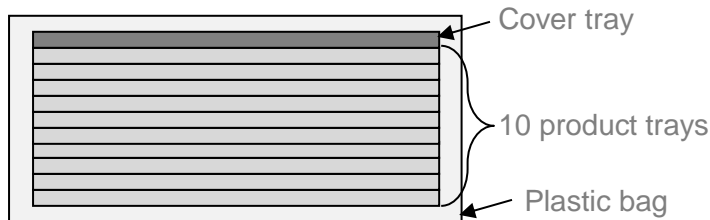
Each tray holds 20 to 50 devices (depending on the body size), in cavities moulded into the tray.

The trays are designed to protect the devices during transportation, and to facilitate their removal by hand or vacuum pen prior to assembly.

Packaging for Shipment

The Minimum Package Quantity (MPQ) is a stack of 10 product trays and a cover tray. This package is then wrapped in plastic bubble wrap or sealed in a moisture resistant foil bag.

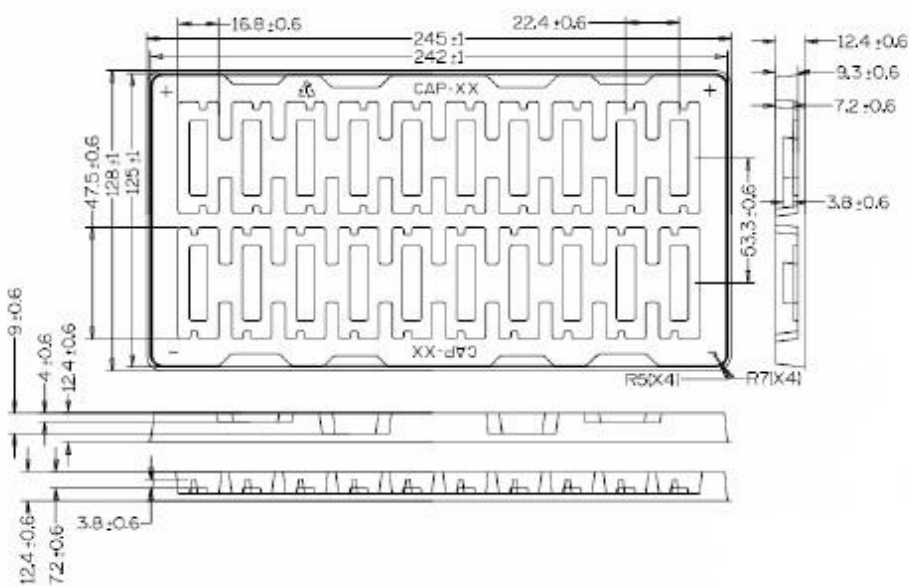
Each package contains 200 ("S" series devices), 300 ("W" series devices), or 500 pieces ("A" series devices). This is the MPQ, and also the MOQ for wholesale purchase.



Packing Tray for "S" series devices

20 pieces / Tray

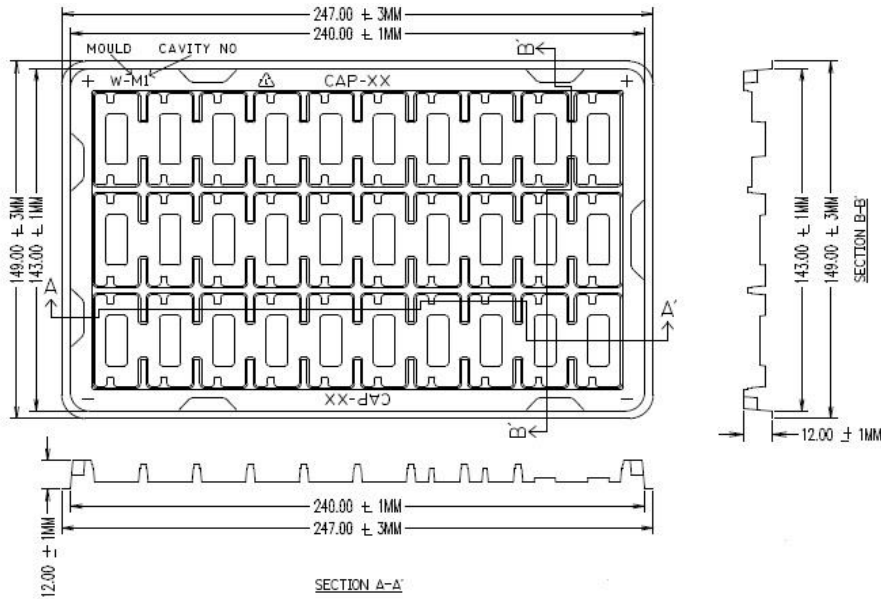
Package Quantity = 200pcs



Packing Tray for "W" series devices

30 pieces / Tray

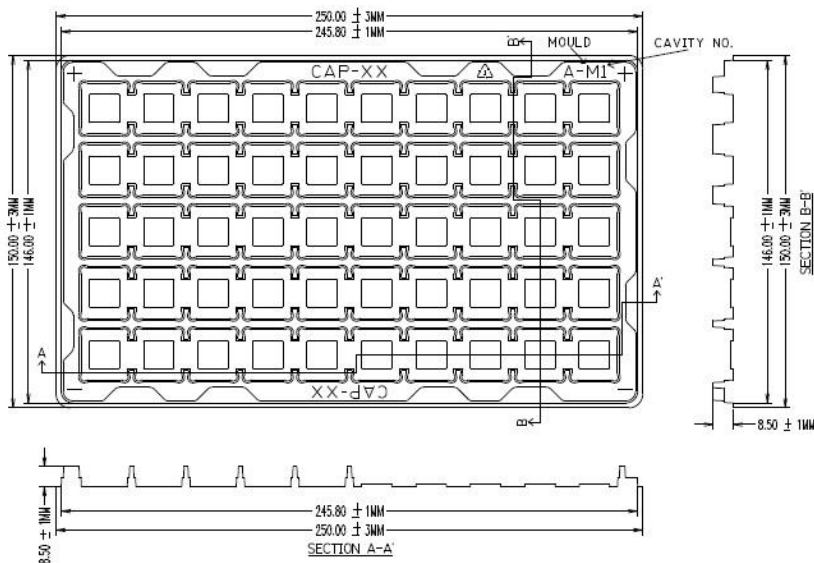
Package Quantity = 300pcs



Packing Tray for "A" series devices

50 pieces / Tray

Package Quantity = 500pcs



13. Cautions Before Use

CAP-XX supercapacitors are “burned in” during production, and have a defined polarity, as shown by the positive terminal marked on the face of the product. Reversing the polarity of the device will not damage the device, but may cause a rise in the ESR and will void the warranty. Please verify the orientation of the supercapacitor in accordance with the product markings before assembly.

CAP-XX supercapacitors are heat-sensitive. Over-heating of the supercapacitor may result in a degradation of performance and useful life (see Section 17 for more information).

CAP-XX supercapacitors must only be used within their rated voltage range. Over-voltage may cause swelling and eventually, product failure.

Dual cell supercapacitor modules contain two cells connected in series. Please ensure that the voltage in both cells remains below the rated peak and constant operating voltages. CAP-XX recommends the use of an active balancing circuit or passive balancing resistors to prevent an over-voltage situation developing in one cell. Contact CAP-XX for more information on cell balancing.

CAP-XX supercapacitors are fully discharged when shipped. Devices should be handled and soldered in a discharged state.

14. Soldering & Assembly

Placement

Avoid contact between conductive areas on the underside of the supercapacitor and vias, through holes or tracks on the PCB. Refer to the Product Drawings in Section 20 for detailed information on the location and size of these conductive areas, and the recommended positioning and size of PCB landing pads.

Do not apply excessive force to the supercapacitor during placement. CAP-XX supercapacitors should not be exposed to more than 400kPa pressure across the flat surface of the device (equivalent to a weight of 10kg). Bending or applying too much pressure to the device may damage the seals, resulting in device failure.

CAP-XX supercapacitor terminals are manufactured from tinned (pure bright tin), annealed (low temper) copper that is pliable. Care should be taken to avoid bending the terminals.

To mount the supercapacitor on the PCB, remove the device from the tray by hand, with a vacuum pen, or by an automated pick and place robotic arm with a vacuum pen, and locate onto the PCB.

CAP-XX offers an adhesive insulating tape on the underside of the device as an option to assist in mounting. The PCB surface should be clean and free from oil, grease or flux residue prior to mounting. Remove the release tape, position the device carefully and press firmly into place. An extended hold time is not required.

Soldering

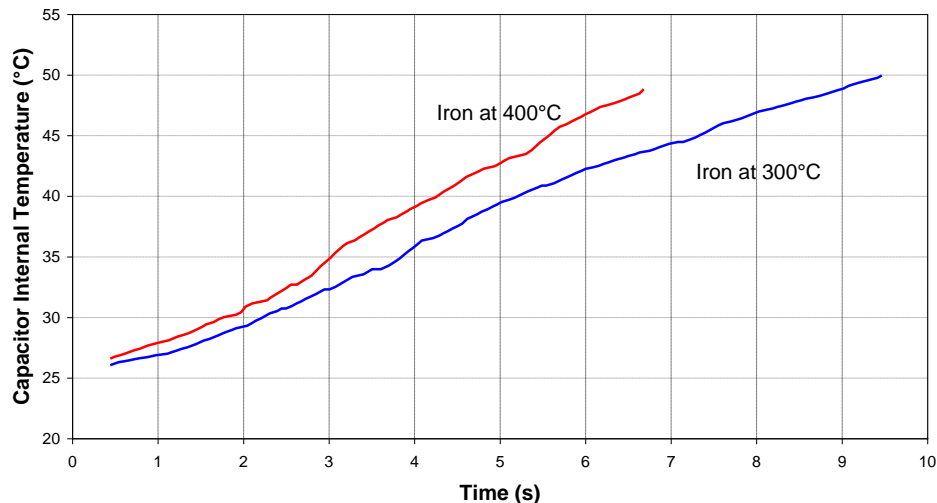
CAP-XX supercapacitors are designed for direct soldering onto the PCB. Soldering the terminals to the PCB will ensure the highest contact reliability and lowest contact resistance. Do NOT solder directly to the device casing. This will cause permanent internal damage to the supercapacitor.

CAP-XX supercapacitors are NOT SUITABLE for infrared reflow soldering, hot-air reflow soldering, or wave soldering. They should be mounted as a secondary operation, using a manual soldering iron, a hot bar soldering jig, conductive adhesive, ultrasonic welding or laser welding.

CAP-XX recommends the use of a water-soluble flux, or a no-clean (low residue) flux, and low temperature solder compounds.

Soldering should be undertaken with a low wattage soldering iron (<70 W), applying heat just long enough to achieve a good connection. The maximum recommended soldering time is 5 seconds, when using an iron at 400°C in an ambient temperature of 23°C.

Capacitor Internal Temperature when Soldering



If a hot-air gun is used to reflow the solder during a re-mount or de-mount, care must be taken to prevent excessive heating of the package adjacent to the solder terminals. Allow at least 15 sec between successive soldering attempts for the device to cool down.

Washing

CAP-XX supercapacitors are NOT SUITABLE for solvent-based washing. Do not use any solvent cleaners such as acetone, benzene, isopropyl alcohol or halogenated solvents.

CAP-XX recommends that the assembly be washed with an aqueous cleaning solution based on de-ionized water to remove any flux residue. Do not wash at temperatures exceeding 70°C, or at spray pressures exceeding 50psi. The supercapacitor may be fully submerged briefly during the washing process, but exposure times to water should be minimized.

Drying

Rapid airflow around the device during drying will assist in the removal of any residual moisture trapped in the package. Keep drying times to the minimum necessary, at temperatures not exceeding 70°C.

Conformal Coatings & Potting

Some applications require the use of conformal coatings or “potting” compounds in order to meet specific performance requirements, such as enhanced shock and vibration resistance, waterproofing, protection from corrosive environments, and ATEX / Intrinsic Safety certifications.

Potting may involve the use of thermo-setting plastics, silicone rubber gels, or polyurethane, whilst conformal coatings generally involve acrylics, epoxies, polyurethane, silicones, Parylene, or amorphous fluoro polymers. In all cases, care must be taken to ensure that the device is not subjected to temperatures outside the specified range during setting and curing, and that solvents used in the process will not damage the external packaging of the supercapacitor. Contact CAP-XX for more information if required.

15. Safety

CAP-XX supercapacitors are very safe and reliable.

Failure modes

The failure mode for a supercapacitor is usually open circuit, with ESR rising to infinity.

This can occur if the device is exposed to high temperature or voltage or as a result of electrolyte loss over time. These situations can occur as a result of assembly errors (e.g. over-heating the device during soldering), circuit design errors (e.g. failure to balance the cell voltages in a dual cell device correctly), environmental extremes (e.g. temperature excursions beyond the specified range or duration), or natural ageing (e.g. permeation of the electrolyte solvent through the package seal).

Occasionally, supercapacitors will fail as a short circuit. This can be due to physical damage sustained during handling or assembly (e.g. if the package is pierced by a sharp, conductive object), assembly errors (e.g. by shorting a terminal to the package during soldering), circuit design errors (e.g. by running vias on the PCB under conductive areas on the package), industrial design errors (e.g. by exerting excessive pressure on the device, damaging the internal separator membrane), or by manufacturing errors (e.g. by misalignment of the separator between electrodes).

Resistance to Shock

CAP-XX has undertaken tests in accordance with IEC68-2-27 to determine the effects of repeated shocks on both the mechanical integrity and electrical performance of its supercapacitors:

- Pulse Shape Half-Sine
- Amplitude 30g \pm 20%
- Duration 18ms \pm 5%
- No. of Shocks 3 in each direction (18 in total)
- No. of Axes 3, orthogonal

Results: No electrical or mechanical degradation observed.

Note that this test was undertaken on the standard product, with no adhesive mounting tape. To achieve the highest levels of resistance to shock, CAP-XX recommends the use of an adhesive mounting tape on the underside of the device.

Resistance to Vibration

CAP-XX has undertaken tests in accordance with IEC68-2-6 to determine the effects of sustained vibration on both the mechanical integrity and electrical performance of its supercapacitors:

- Type Sinusoidal
- Frequency 55Hz - 500Hz
- Amplitude 0.35mm \pm 3dB (55Hz to 59.55Hz)
5g \pm 3dB (59.55Hz to 500Hz)
- Sweep Rate 1 Oct/min
- No. of Cycles 10 (55Hz - 500Hz - 55Hz)
- No. of Axes 3, orthogonal

Results: No electrical or mechanical degradation observed.

Note that this test was undertaken on the standard product, with no adhesive mounting tape. To achieve the highest levels of resistance to vibration, CAP-XX recommends the use an adhesive mounting tape on the underside of the device.

Drop-Test

CAP-XX has undertaken tests to determine the effects of repeated drops on both the mechanical integrity and electrical performance of its supercapacitors:

- Mounting Mount the supercapacitor in a test jig as set out below
- Method Drop the test jig onto a concrete floor from a height of 2m
- No. of Cycles 3 drops, one on each axis

Results: No electrical or mechanical degradation observed when following the mounting rules.

Mounting during drop test:

- Constrained by the device housing, with a maximum clearance of 1mm – The supercapacitor was connected to the PCB only by the solder connections on the terminals.
- Unconstrained by the device housing - The supercapacitor was connected to the PCB with double-sided adhesive tape and by solder connections on all terminals.

For maximum product performance in harsh environments, CAP-XX recommends the use of an adhesive mounting tape on the underside of the device or a conformal coating/potting compound.

Exposure to an Open Flame

A fully charged supercapacitor was burned with an alcohol lamp.

Results: The supercapacitor expands due to the heat, and the seal weakens, but does not burst. There is no ignition, no fire, and no scattering of pieces and/or sparks.



Exposure to Heat

A fully charged supercapacitor was placed in an oven for 1hr at 130°C.

Results: The supercapacitor expands due to the heat, and the seal weakens, but does not burst. There is no smoke, no fire, and no gas emission.



Pressure

A fully charged supercapacitor was pressed with a 10mm diameter pole, to 2/3 of its initial thickness.

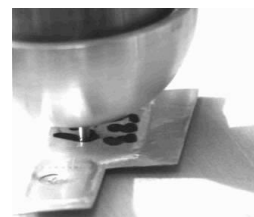
Results: The supercapacitor loses its charge. There is no ignition, no smoke, no fire, no gas emission, and no scattering of pieces and/or sparks.



Puncture

A fully charged supercapacitor was punctured with a 2mm diameter steel needle.

Results: The supercapacitor loses its charge. There is no ignition, no smoke, no fire, no gas emission, and no scattering of pieces and/or sparks.



16. Dimensional Stability & Low Pressure Environments

CAP-XX supercapacitors are hermetically sealed, and contain a very small amount of a liquid electrolyte. At high altitudes (with low external pressure), the device may swell and ESR may increase. Please contact CAP-XX for more information on use in low pressure environments.

The aluminium soft pack will swell at high temperature, and may exert force on adjacent components. If unconstrained, a device may swell by up to 50% of its nominal thickness at 70°C.

If constrained by the product case or adjacent components, the supercapacitor may exert up to 7N of force on its surroundings at 70°C. As an example, with a contact surface area of 1.7cm², a dual cell W device will exert a pressure of ~42kPa (6psi) on a fixed surface at 70°C.

17. Response to Over-Temperature Events

CAP-XX supercapacitors are heat-sensitive. Over-heating of the supercapacitor may result in a degradation of performance and useful life. Note that the thermal mass of CAP-XX supercapacitors is very small, so the temperature of the device will equalize to its environment very quickly.

G series devices are rated to a maximum temperature of 70°C, whilst the H series is rated to 85°C. CAP-XX does not recommend operating supercapacitors at or near their maximum temperature rating constantly, as they will age rapidly (i.e. ESR will rise and capacitance will fall).

Exceeding the rated maximum temperature will cause even more accelerated ageing, and may cause immediate failure depending on the temperature reached and the time exposed.

At temperatures between 85°C and 100°C, there will be a progressive change in the dimensions of the package (puffing). Usually, this is reversible, and electrical performance is retained. As the temperature approaches 100°C, the probability of non-reversible change increases. This will occasionally cause immediate failure, and degraded electrical performance due to physical damage to the internal structure of the device.

At temperatures greater than 100°C, electrical performance will degrade rapidly, and permanent electrical failure becomes increasingly likely. At 150°C or higher, the seals will melt and the device will fail both physically and electrically.

18. Certifications & Compliances

ISO 9001-2008

CAP-XX is certified as following the ISO 9001 Quality Management System. The current certification can be found by typing "CAP-XX" in the Organisation field of the Certified Organisations Search page of the JAS-ANZ Register at cab.jas-anz.org.

Underwriter's Laboratory (UL 810A)

All CAP-XX standard products have been tested by Underwriter's Laboratory and are certified as UL-Recognized Components. The CAP-XX certified products can be found under UL category code BBBG2, and UL file number MH47599 in the Online Certifications Directory at database.ul.com.

RoHS

All CAP-XX products are RoHS2 compliant. Substances specified in the European Union directive 2011/65/EU and Chinese Government directive (to standard SJ/T 11363 – 2006) are either not present at all, or are present at levels below those specified in the directive.

An RoHS Certificate of Compliance is available on the [CAP-XX website](#).

Real time RoHS reports on CAP-XX parts can be obtained on [BOMcheck](#).

REACH

All CAP-XX products are REACH compliant.

Pre-registration and registration of substances in articles: CAP-XX does not supply any products that would be considered an article with a substance intended to be released during normal and reasonably foreseeable conditions of use, and therefore has no plans for pre-registration.

Substances of Very High Concern (SVHC): CAP-XX products do not contain any chemicals listed as SVHC in Annex XIV or the Candidate List under Article 57 of European Directive EC 1907/2006 and as amended by subsequent regulations.

Restricted use substances: CAP-XX products either do not contain any of the restricted-use substances given in Annex XVII of European Directive EC 1907/2006 and as amended by subsequent regulations, or meet any of the restrictions placed on them.

A REACH Certificate of Compliance is available on the [CAP-XX website](#).

Real time REACH reports on CAP-XX parts can be obtained on [BOMcheck](#).

Rare Earth Metals & Conflict Metals

CAP-XX products do not contain any rare earth metals or conflict metals as defined in Section 1502 of the United States Financial Reform Bill (HR 4173), 2010. Specifically, CAP-XX supercapacitors do not contain any Tantalum (Ta), Tungsten (W) or Gold (Au). CAP-XX products contain Tin (Sn) sourced only from non-conflict sources.

A Certificate of Compliance is available on the [CAP-XX website](#).

The Conflict Materials report can be obtained on [BOMcheck](#).

Halogens

CAP-XX products are halogen-free as defined under the draft IPC/JEDEC J-STD-709 standard for electronic components and assemblies. Specifically, CAP-XX products do not contain any brominated or chlorinated flame retardants (BFRs/CFRs) or PVC plastics.

A Certificate of Compliance is available on the [CAP-XX website](#).

19. Notes & Disclaimers

Product specifications in this document are current as of its publication date. Specifications are subject to change, and products may be discontinued without advance notice.

This document contains limited specification detail. Please refer to the relevant Data Sheet for more complete specification data on specific products, or contact CAP-XX for more information.

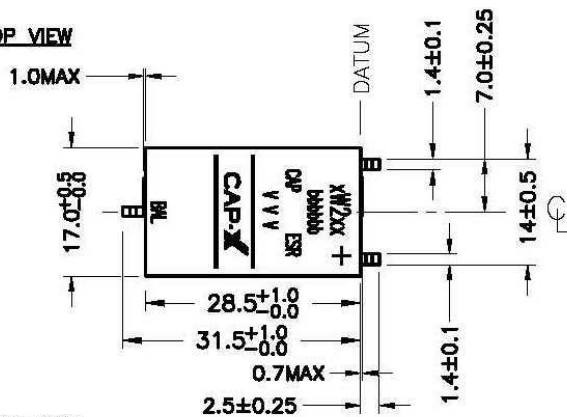
CAP-XX products are not authorized for use in medical devices classified as Class III under the European Union Directive 93/42/EC, 2010, or Class D of the Global Harmonization Task Force Guidelines, 2012. Please contact CAP-XX for more information on the use of our products in any applications which may be considered to carry any risk of harm to people or property.

CAP-XX and trade names associated with CAP-XX are protected by Trademark.

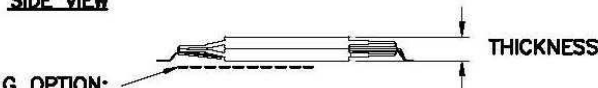
Technology referred to in this document is protected by US patent 06631072 and other patents and pending patents.

"W" Package Dual Cell Devices

TOP VIEW

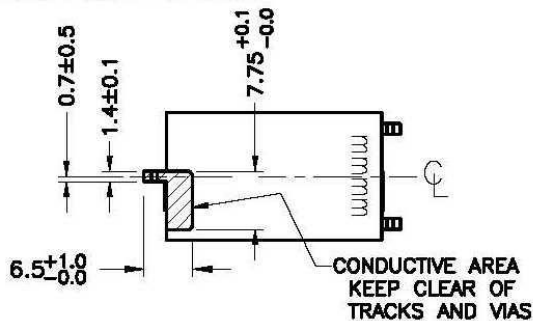


SIDE VIEW

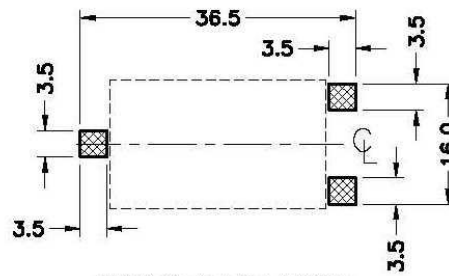
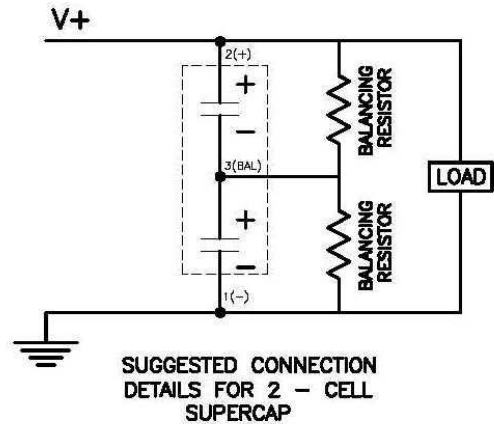
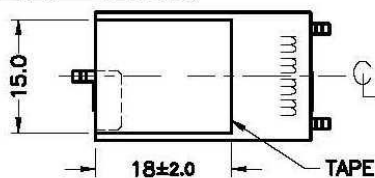


G OPTION:
TAPE ON UNDERSIDE ADDS 0.1mm
TO DEVICE THICKNESS WITHOUT RELEASE TAPE

BOTTOM VIEW - F OPTION

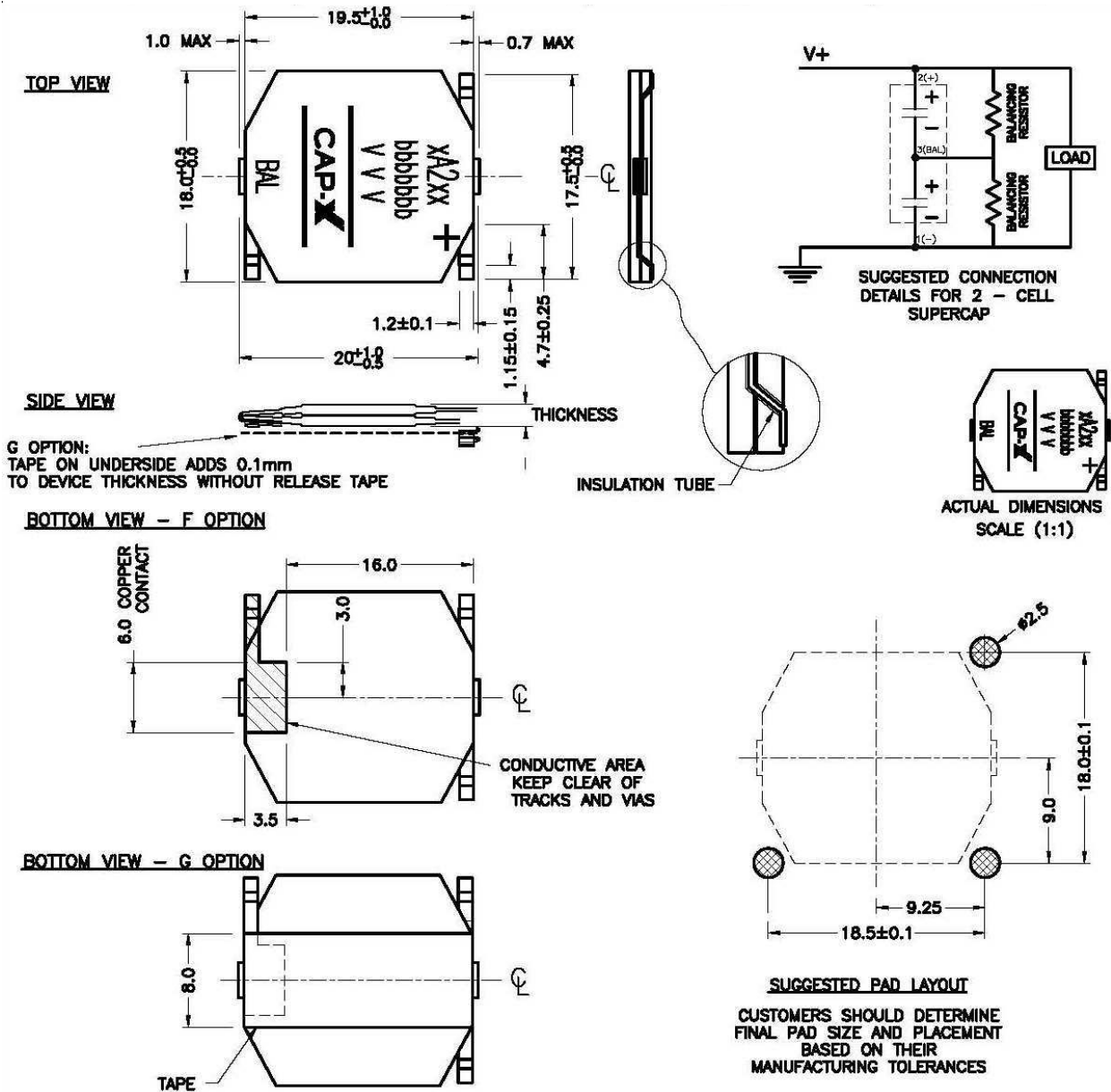


BOTTOM VIEW - G OPTION

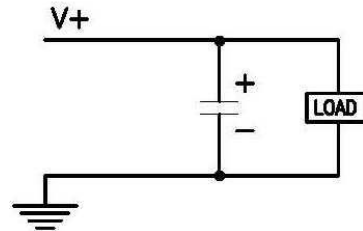
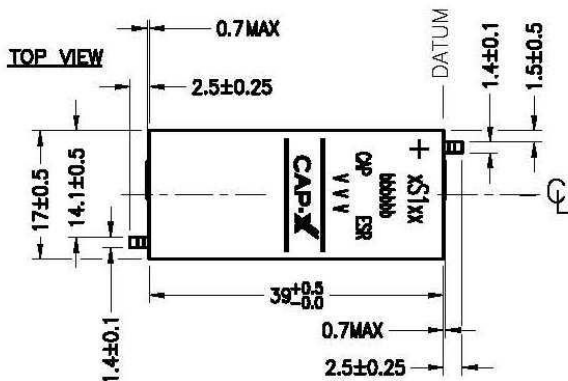


CUSTOMERS SHOULD DETERMINE
FINAL PAD SIZE AND PLACEMENT
BASED ON THEIR
MANUFACTURING TOLERANCES

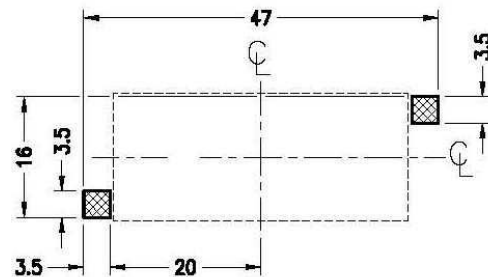
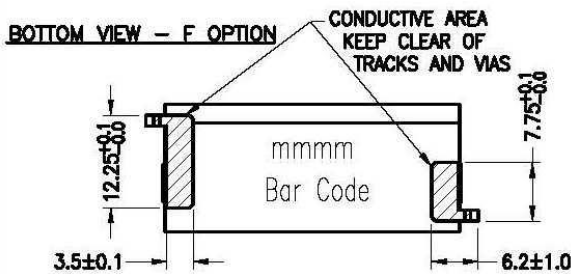
"A" Package Dual Cell Devices



"S" Package Single Cell Supercapacitors

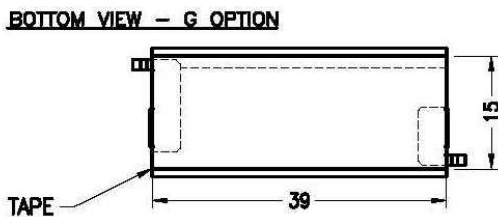


**SUGGESTED CONNECTION
DETAILS FOR SINGLE CELL
SUPERCAP**



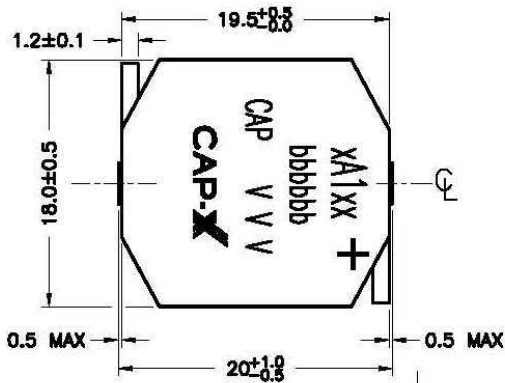
SUGGESTED PAD LAYOUT

**CUSTOMERS SHOULD DETERMINE
FINAL PAD SIZE AND PLACEMENT
BASED ON THEIR
MANUFACTURING TOLERANCES**



"A" Package Single Cell Supercapacitors

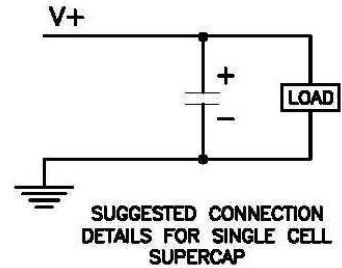
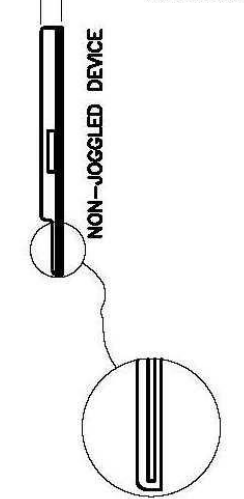
TOP VIEW



SIDE VIEW

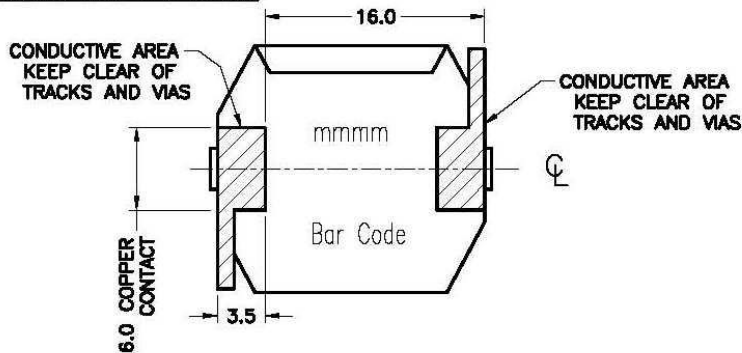
G OPTION:
TAPE ON UNDERSIDE ADDS 0.1mm
TO DEVICE THICKNESS WITHOUT RELEASE TAPE

THICKNESS

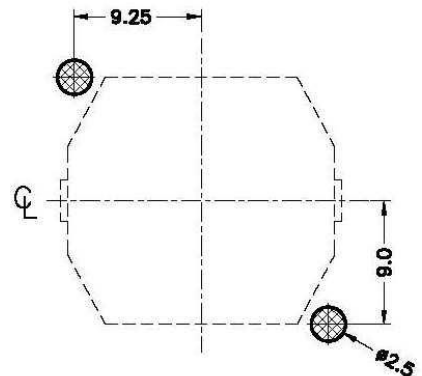
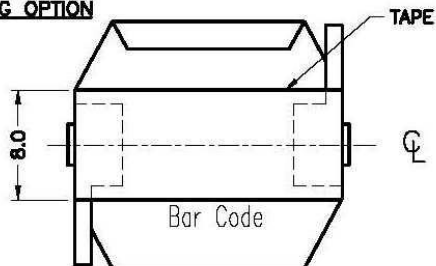


ACTUAL DIMENSIONS
SCALE (1:1)

BOTTOM VIEW - F OPTION



BOTTOM VIEW - G OPTION



SUGGESTED PAD LAYOUT

CUSTOMERS SHOULD DETERMINE
FINAL PAD SIZE AND PLACEMENT
BASED ON THEIR
MANUFACTURING TOLERANCES



Contact Information

21. Contact Information

Principal Office

CAP-XX (Australia) Pty Ltd
Unit 9, 12 Mars Road Lane
Cove, NSW 2066
Australia

Sales & Product Enquiries

Website:

www.tecategroup.com

Email:

sales@tecategroup.com

Telephone:

+1-619-398-9700

Distributors

AUTHORIZED GLOBAL DISTRIBUTOR

Tecate Industries
7520 Mission Valley Rd
San Diego, CA 92108
1-619-398-9700

www.tecategroup.com

Sales@tecategroup.com