

FEATURES

- Safety recognized.
- Across- the-line antenna coupling.
- Line by-pass application.
- For IEC 384-14 2nd edition.
- Packaging: Tape/Reel.

PART NUMBERING

Part Number Example: CDX1-440/101K0Y5P1F										
CDX1	-	440	/	101	K	0	Y5P	1	F	F
Type		Rated DC Voltage		Capacitance Code (pF)*	Tolerance Code		TC	Lead Code	Lead Spacing	RoHs Compliant

* Capacitance Code: First two digits represent significant figures, third digit represents multiplier (number of zeros).

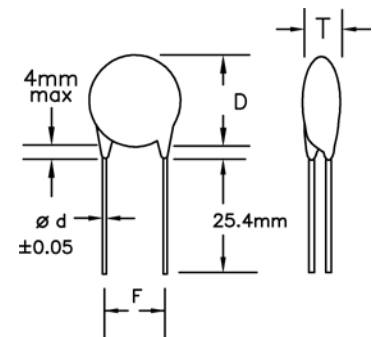
SPECIFICATIONS

Performance Characteristics		
Operating Temperature Range	-25°C ~ +125°C. -25°C ~ +85°C (UL/CSA).	-25°C ~ +85°C.
Voltage Range	440VAC (X1) 250VAC (Y1).	
Withstanding Voltage (between leads)	60 seconds @ 4000VAC.	60 seconds @ 2600VAC.
Capacitance Range	100pF ~ 4700pF.	100pF ~ 10000pF.
Capacitance Tolerance	±10% (Y5P). ±20% (Y5U).	
Maximum Dissipation Factor % (20°C)	2.5 @ 1Vrms ± 0.2Vrms.	
Minimum Insulation Resistance	10000MΩ measured @ 500VDC.	

APPROVAL STANDARD AND RECOGNIZED NUMBER

Standard	Standard No.	Recognized No.	AC Rated Voltage
UL	UL1414	E201384	TYPE CDX/CDY Class X1: 400VAC Class Y2: 250VAC
CSA	C22.2 NO.1	LR113866-3	
VDE	IEC384-14 2nd EDITION	40001827	
ENEC 10	EN 132400	40001827	

DIMENSIONS



Lead Code: 1 = Straight.
Lead Code: 2 = Inside kink (not shown).
Lead Spacing: F = 10mm, D = 7.5mm.

CLASS X1 / Y1

Part Number	Temp. Char.	Cap. (pF)	Cap. Tol. (%)	Dimensions (mm)			
				D Max.	F	T Max.	dØ
CDX1-440/101K0Y5P1F	Y5P	100	±10%	9.0	10.0	8.0	0.65
CDX1-440/151K0Y5P1F	Y5P	150	±10%	9.0	10.0	8.0	0.65
CDX1-440/221K0Y5P1F	Y5P	220	±10%	9.0	10.0	8.0	0.65
CDX1-440/331K0Y5P1F	Y5P	330	±10%	9.0	10.0	8.0	0.65
CDX1-440/471K0Y5P1F	Y5P	470	±10%	9.0	10.0	8.0	0.65
CDX1-440/681K0Y5P1F	Y5P	680	±10%	10.0	10.0	8.0	0.65
CDX1-440/102M0Y5U1F	Y5U	1000	±20%	9.0	10.0	8.0	0.65
CDX1-440/152M0Y5U1F	Y5U	1500	±20%	11.0	10.0	8.0	0.65
CDX1-440/222M0Y5U1F	Y5U	2200	±20%	12.0	10.0	8.0	0.65
CDX1-440/332M0Y5U1F	Y5U	3300	±20%	14.0	10.0	8.0	0.65
CDX1-440/392M0Y5U1F	Y5U	3900	±20%	15.0	10.0	8.0	0.65
CDX1-440/472M0Y5U1F	Y5U	4700	±20%	16.0	10.0	8.0	0.65

CLASS X1 / Y1

Part Number	Temp. Char.	Cap. (pF)	Cap. Tol. (%)	Dimensions (mm)			
				D Max.	F	T Max.	dØ
CDY1-250/101K0Y5P1F	Y5P	100	±10%	9.0	10.0	8.0	0.65
CDY1-250/151K0Y5P1F	Y5P	150	±10%	9.0	10.0	8.0	0.65
CDY1-250/221K0Y5P1F	Y5P	220	±10%	9.0	10.0	8.0	0.65
CDY1-250/331K0Y5P1F	Y5P	330	±10%	9.0	10.0	8.0	0.65
CDY1-250/471K0Y5P1F	Y5P	470	±10%	9.0	10.0	8.0	0.65
CDY1-250/681K0Y5P1F	Y5P	680	±10%	10.0	10.0	8.0	0.65
CDY1-250/102M0Y5U1F	Y5U	1000	±20%	9.0	10.0	8.0	0.65
CDY1-250/152M0Y5U1F	Y5U	1500	±20%	11.0	10.0	8.0	0.65
CDY1-250/222M0Y5U1F	Y5U	2200	±20%	12.0	10.0	8.0	0.65
CDY1-250/332M0Y5U1F	Y5U	3300	±20%	14.0	10.0	8.0	0.65
CDY1-250/392M0Y5U1F	Y5U	3900	±20%	15.0	10.0	8.0	0.65
CDY1-250/472M0Y5U1F	Y5U	4700	±20%	16.0	10.0	8.0	0.65

CLASS X1 / Y2

Part Number	Temp. Char.	Cap. (pF)	Cap. Tol. (%)	Dimensions (mm)			
				D Max.	F	T Max.	dØ
CDX1-400/101K0Y5P1D	Y5P	100	±10%	8.0	7.5	8.0	0.65
CDX1-400/151K0Y5P1D	Y5P	150	±10%	8.0	7.5	8.0	0.65
CDX1-400/221K0Y5P1D	Y5P	220	±10%	8.0	7.5	8.0	0.65
CDX1-400/331K0Y5P1D	Y5P	330	±10%	8.0	7.5	8.0	0.65
CDX1-400/471K0Y5P1D	Y5P	470	±10%	8.0	7.5	8.0	0.65
CDX1-400/561K0Y5P1D	Y5P	560	±10%	9.0	7.5	8.0	0.65
CDX1-400/681K0Y5P1D	Y5P	680	±10%	9.0	7.5	8.0	0.65
CDX1-400/102K0Y5P1D	Y5P	1000	±10%	10.0	7.5	8.0	0.65
CDX1-400/102M0Y5V1D	Y5V	1000	±20%	8.0	7.5	8.0	0.65
CDX1-400/152M0Y5V1D	Y5V	1000	±20%	8.0	7.5	8.0	0.65
CDX1-400/222M0Y5V1D	Y5V	2200	±20%	9.0	7.5	8.0	0.65
CDX1-400/332M0Y5V1D	Y5V	3300	±20%	10.0	7.5	8.0	0.65

CLASS X1 / Y2

Part Number	Temp. Char.	Cap. (pF)	Cap. Tol. (%)	Dimensions (mm)			
				D Max.	F	T Max.	dØ
CDY2-250/101K0Y5P1D	Y5P	100	±10%	8.0	7.5	8.0	0.65
CDY2-250/151K0Y5P1D	Y5P	150	±10%	8.0	7.5	8.0	0.65
CDY2-250/221K0Y5P1D	Y5P	220	±10%	8.0	7.5	8.0	0.65
CDY2-250/331K0Y5P1D	Y5P	330	±10%	8.0	7.5	8.0	0.65
CDY2-250/471K0Y5P1D	Y5P	470	±10%	8.0	7.5	8.0	0.65
CDY2-250/561K0Y5P1D	Y5P	560	±10%	9.0	7.5	8.0	0.65
CDY2-250/681K0Y5P1D	Y5P	680	±10%	9.0	7.5	8.0	0.65
CDY2-250/102K0Y5P1D	Y5P	1000	±10%	10.0	7.5	8.0	0.65
CDY2-250/102M0Y5V1D	Y5V	1000	±20%	8.0	7.5	8.0	0.65
CDY2-250/152M0Y5V1D	Y5V	1000	±20%	8.0	7.5	8.0	0.65
CDY2-250/222M0Y5V1D	Y5V	2200	±20%	9.0	7.5	8.0	0.65
CDY2-250/332M0Y5V1D	Y5V	3300	±20%	10.0	7.5	8.0	0.65