

FEATURES

- Small size and low resistance
- Quick charge and discharge
- RoHS compliant
- Sealed for improved performance in elevated humidity environments

APPLICATIONS

- Pulse power demand
- Hybrid battery packs
- Portable electronic devices



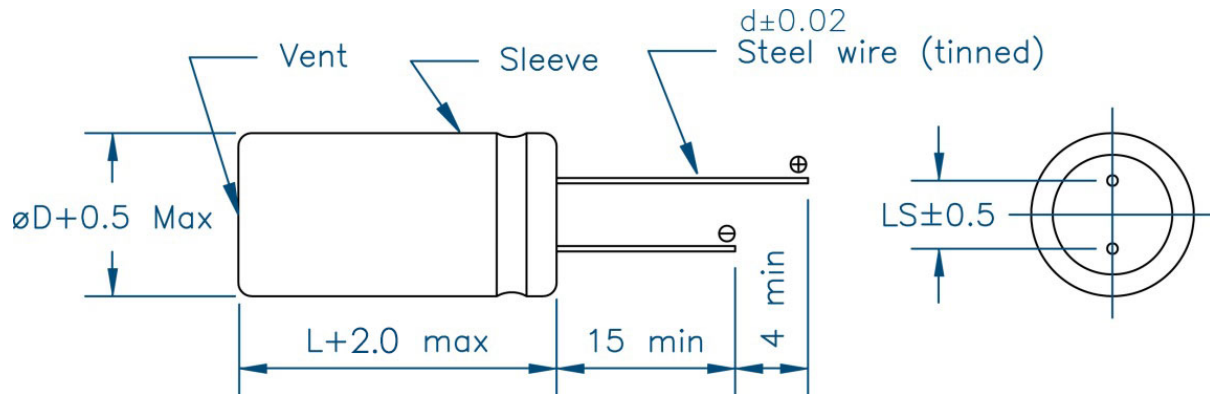
GENERAL SPECIFICATIONS

Item	Performance
Operating temperature	-40°C to +65°C @ 2.7V -40°C to +85°C @ 2.3V
Storage temperature	-40°C to +70°C
Capacitance range	1.5F to 120F
Rated voltage	2.7 VDC / 2.3 VDC
Surge voltage	2.85 VDC
Temperature characteristics	Capacitance change: Within ±5% of initial measured value at +25°C (-40°C to +65°C) Internal resistance: Within ±50% of initial measured value at +25°C (at -40°C)
Endurance (At rated voltage & max. operating temp)	After 1500 hours: Capacitance change: ±30% of initial rated value Internal resistance: Within 2 times of initial specified value
Projected Load life (At rated voltage & 25°C)	After 10 years: Capacitance change: Within ±30 % of initial rated value Internal resistance: Within 2 times of initial specified value
Projected cycle life (From rated voltage to 1/2 rated voltage at 25°C)	After 500,000 cycles: Capacitance change: Within ±30 % of initial rated value Internal resistance: Within 2 times of initial specified value
Shelf life	After 2 years at 25°C without load, the capacitor shall meet the specified endurance limits.
Biased humidity life	3000 hours of continuous charging at VR, 60°C and 90%RH for mechanical integrity

WARNING! This document contains confidential proprietary information of Tecate Group. Not to be copied or disclosed except by written permission from Tecate Group.

7520 Mission Valley Road • San Diego, CA 92108-4400 USA • Tel: 619.398.9700 • Fax: 619.398.9777 • www.tecategroup.com

DIMENSIONS



STANDARD PRODUCTS

Part Number	Nom. Cap. (F)	GMV (F)*	ESR DC (m Ω)	ESR AC (m Ω) (1 KHz)	Leakage Current (mA) (72 hrs @ 25C)	Dimensions (mm)			Max Peak Current (A)	Weight/Unit (grams)
						D	L	LS		
TPLH-2R7/1.5WR6X15	1.5	1.35	650	330	0.006	6.3	15	2.5	1.03	1
TPLH-2R7/2.8WR8X16	2.8	2.52	300	150	0.01	8	16	3.5	2.05	1.5
TPLH-2R7/4.0WR8X20	4	3.6	200	120	0.014	8	20	3.5	3	1.6
TPLH-2R7/6.0WR10X20	6	5.4	130	70	0.015	10	20	5	4.55	2.5
TPLH-2R7/6.0WR8X26	6	5.4	145	85	0.015	8	26	3.5	4.33	2.3
TPLH-2R7/8.0WR8X28	8	7.2	100	60	0.02	8	28	3.5	6	2.4
TPLH-2R7/12WR10X30	12	10.8	85	60	0.03	10	30	5	8.02	3.5
TPLH-2R7/22WR12X31	22	19.8	45	30	0.055	12.5	31.5	5.3	14.92	6.5
TPLH-2R7/25WR12X35	25	22.5	42	28	0.06	12.5	35.5	5.3	16.46	7
TPLH-2R7/28WR12X35	28	25.2	38	25	0.06	12.5	35.5	5.3	18.31	7.3
TPLH-2R7/30WR12X35	30	27	35	25	0.08	12.5	35.5	5.3	19.76	8.5
TPLH-2R7/30WR16X26	30	27	35	25	0.08	16	26	7.5	19.76	8.5
TPLH-2R7/34WR12X40	34	30.6	30	20	0.07	12.5	40	5.3	22.72	8.5
TPLH-2R7/35WR16X31	35	31.5	30	20	0.07	16	31.5	7.5	23.05	8.5
TPLH-2R7/40WR12X46	40	36	25	18	0.075	12.5	46	5.3	27	8.6
TPLH-2R7/44WR12X46	44	39.6	25	18	0.75	12.5	46	5.3	28.29	8.6
TPLH-2R7/50WR16X40	50	45	20	15	0.13	16	40	7.5	33.75	13
TPLH-2R7/60WR18X38	60	54	20	14	0.13	18	38	7.5	36.82	16
TPLH-2R7/75WR18X40	75	67.5	20	13	0.15	18	40	7.5	40.5	17
TPLH-2R7/120WR18X60	120	108	16	10	0.26	18	60	7.5	55.48	23

*NOTE: GMV = Guaranteed Minimum Value.

WARNING! This document contains confidential proprietary information of Tecate Group. Not to be copied or disclosed except by written permission from Tecate Group.

7520 Mission Valley Road • San Diego, CA 92108-4400 USA • Tel: 619.398.9700 • Fax: 619.398.9777 • www.tecategroup.com

Tecate reserves the right, without notice, to change design or construction of any products and to discontinue or limit distribution of any products. Tecate also reserves the right to change or update, without notice, any technical information contained in this bulletin.

Spec. Date: 2018-12-26 14:56:12