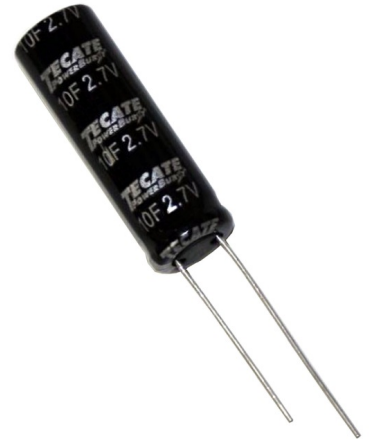


## FEATURES

- Small size and low resistance
- Quick charge and discharge
- RoHS compliant
- UL recognized
- Sealed for improved performance in elevated humidity environments



## APPLICATIONS

- Pulse power demand
- Hybrid battery packs
- Portable electronic devices

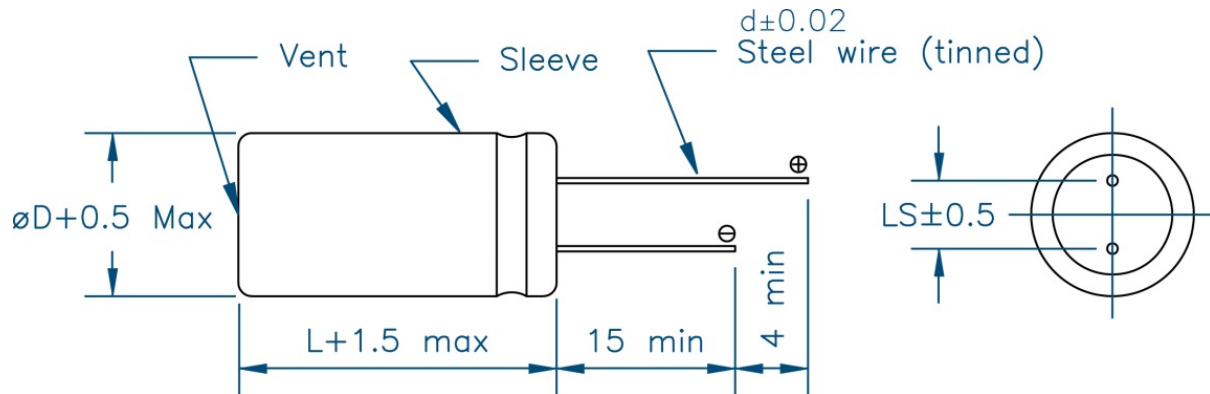
## GENERAL SPECIFICATIONS

Item	Performance
Operating temperature	-40°C to +65°C @ 2.7V -40°C to +85°C @ 2.3V
Storage temperature	-40°C to +70°C
Capacitance	38F
Rated voltage	2.7 VDC / 2.3 VDC
Surge voltage	2.85 VDC
Temperature characteristics	Capacitance change: Within $\pm 5\%$ of initial measured value at +25°C (-40°C to +65°C) Internal resistance: Within $\pm 50\%$ of initial measured value at +25°C (at -40°C)
Endurance (At rated voltage & max. operating temp)	After 1000 hours: Capacitance change: $\pm 30\%$ of initial rated value Internal resistance: Within 2 times of initial specified value
Projected Load life (At rated voltage & 25°C)	After 10 years: Capacitance change: Within $\pm 30\%$ of initial rated value Internal resistance: Within 2 times of initial specified value
Projected cycle life (From rated voltage to 1/2 rated voltage at 25°C)	After 500,000 cycles: Capacitance change: Within $\pm 30\%$ of initial rated value Internal resistance: Within 2 times of initial specified value
Shelf life	After 2 years at 25°C without load, the capacitor shall meet the specified endurance limits.
Biased humidity life	3000 hours of continuous charging at VR, 60°C and 90%RH for mechanical integrity

**WARNING! This document contains confidential proprietary information of Tecate Group. Not to be copied or disclosed except by written permission from Tecate Group.**

7520 Mission Valley Road • San Diego, CA 92108-4400 USA • Tel: 619.398.9700 • Fax: 619.398.9777 • www.tecategroup.com

**DIMENSIONS**



**STANDARD PRODUCTS**

Part Number	Nom. Cap. (F)	GMV (F)*	ESR DC (m $\Omega$ )	ESR AC (m $\Omega$ ) (1 KHz)	Leakage Current (mA) (72 hrs @ 25C)	Dimensions (mm)				Rated Current (A)	Weight/Unit (grams)
						D	L	d	LS		
TPL-38/12X46F	38	34.2	29	19	0.07	12.5	46	0.8	5.3	24.41	9.5

\*NOTE: GMV = Guaranteed Minimum Value.

**WARNING! This document contains confidential proprietary information of Tecate Group. Not to be copied or disclosed except by written permission from Tecate Group.**

7520 Mission Valley Road • San Diego, CA 92108-4400 USA • Tel: 619.398.9700 • Fax: 619.398.9777 • www.tecategroup.com

Tecate reserves the right, without notice, to change design or construction of any products and to discontinue or limit distribution of any products. Tecate also reserves the right to change or update, without notice, any technical information contained in this bulletin.

Spec. Date: 2018-12-21 13:18:48