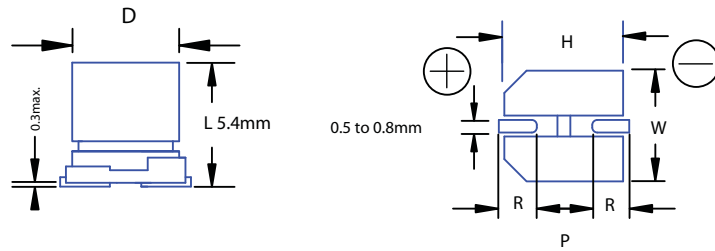


FEATURES

- LOW IMPEDANCE
- STABLE OVER WIDE FREQ. RANGE
- WIDE TEMPERATURE RANGE
- DESIGNED FOR AUTOMATIC MOUNTING
- SOLVENT RESISTANT



PART NUMBERING

Part Number Example: **MXZM-025/220M6X5TR13FG**

MXZM	-	025	/	220	M	6X5	TR	13	F	G
Type	Rated DC Voltage	Capacitance Code (μF)*	Tolerance Code	Size	Package Code**	Reel Size	RoHs Compliant	pb Free		

* Capacitance Code: First two digits represent significant figure, third digit represents multiplier (number of zeros).
** Package Code: TR = Tape & Reel.

SPECIFICATIONS

Performance Characteristics									
Operating Temperature Range	-55°C ~ +105°C.								
Voltage Range	6.3VDC ~ 63VDC.								
Capacitance Range	0.47μF ~ 100μF.								
Capacitance Tolerance	±20%.								
Maximum Dissipation Factor (20°C, 120Hz)	Rated Voltage (WVDC)	6.3	10	16	25	35	50	63	
	DF%	24	20	16	14	12	12	12	
Maximum Leakage Current (20°C) (after 2 minutes)	0.01CV + 3μA, whichever is greater.								
Load Life Test (105°C, 1000 hours)	Capacitance Change	Within ±25% of initial measured value.							
	DF%	Less than 200% of specified value.							
	Leakage Current	Within maximum specified value.							

STANDARD PRODUCT TABLE (dØ X L(mm))

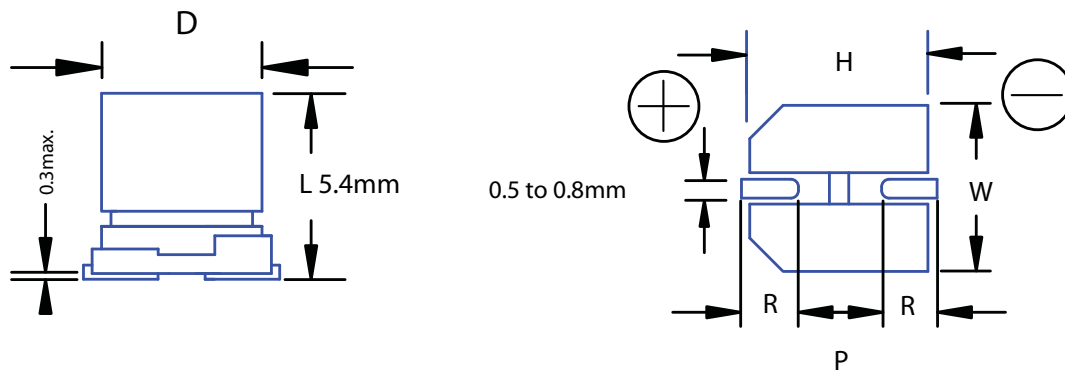
Cap. (μF)	WVDC						
	6.3	10	16	25	35	50	63
0.47					4 x 5.4	4 x 5.4	4 x 5.4
1.0					4 x 5.4	4 x 5.4	4 x 5.4
2.2					4 x 5.4	4 x 5.4	4 x 5.4
3.3					4 x 5.4	4 x 5.4	5 x 5.4
4.7				4 x 5.4	4 x 5.4	5 x 5.4	5 x 5.4
10			4 x 5.4	5 x 5.4	5 x 5.4	6.3 x 5.4	6.3 x 5.4
22	4 x 5.4	5 x 5.4	5 x 5.4	6.3 x 5.4	6.3 x 5.4		
33	5 x 5.4	5 x 5.4	6.3 x 5.4	6.3 x 5.4			
47	5 x 5.4	5 x 5.4	6.3 x 5.4	6.3 x 5.4			
100	6.3 x 5.4	6.3 x 5.4	6.3 x 5.4				

MAXIMUM RIPPLE (mA rms @ 100kHz & 105°C)

Cap. (μF)	WVDC						
	6.3	10	16	25	35	50	63
0.47					51	30	15
1.0					68	37	20
2.2					68	45	24
3.3					68	52	40
4.7				68	68	75	40
10			68	105	105	120	65
22	68	105	105	155	155		
33	105	105	155	155			
47	105	155	155	155			
100	155	155	155				

MAXIMUM IMPEDANCE (Ω @ 100kHz & 20°C)

Cap. (μF)	WVDC						
	6.3	10	16	25	35	50	63
0.47					6.0	8.0	10.0
1.0					3.1	7.4	8.0
2.2					2.9	6.6	8.0
3.3					2.7	5.4	3.5
4.7				2.3	2.3	2.9	3.5
10			2.3	1.1	1.1	1.3	1.6
22	2.3	1.1	1.1	0.6	0.6		
33	1.1	1.1	0.6	0.6			
47	1.1	0.6	0.6	0.6			
100	0.6	0.6	0.6				



DIMENSIONS (mm)

D +0.5	L ± 0.3	W ± 0.2	H ± 0.2	R	P ± 0.2
4.0	5.4	4.3	4.3	1.45 ~ 1.85	1.0
5.0	5.4	5.3	5.3	1.75 ~ 2.15	1.4
6.3	5.4	6.6	6.6	2.35 ~ 2.75	2.2