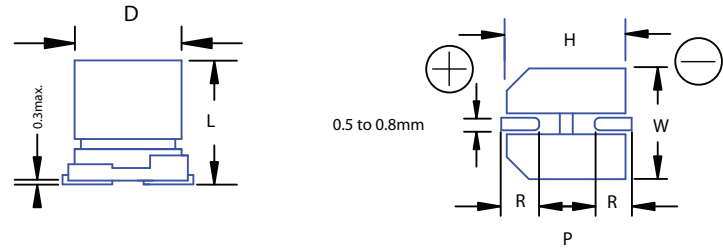


FEATURES

- LOW IMPEDANCE
- 3000hrs LIFE @105C
- WIDE TEMPERATURE RANGE
- DESIGNED FOR AUTOMATIC MOUNTING
- SOLVENT RESISTANT



PART NUMBERING

Part Number Example: MXZH-025/220M5X6TR13FG										
MXZH	-	025	/	220	M	5X6	TR	13	F	G
Type	Rated DC Voltage	Capacitance Code (μF)*	Tolerance Code	Size	Package Code**	Reel Size	RoHs Compliant	pb Free		

* Capacitance Code: First two digits represent significant figure, third digit represents multiplier (number of zeros).
 ** Package Code: TR = Tape & Reel.

SPECIFICATIONS

Performance Characteristics							
Operating Temperature Range	-40°C ~ +105°C.						
Voltage Range	6.3VDC ~ 50VDC.						
Capacitance Range	10μF ~ 330μF.						
Capacitance Tolerance	±20%.						
Maximum Dissipation Factor (20°C, 120Hz)	Rated Voltage (WVDC)	6.3	10	16	25	35	50
	DF%	28	24	22	16	13	12
Maximum Leakage Current (20°C) (after 2 minutes)	0.01CV or 3μA, whichever is greater.						
Load Life Test (105°C, 5000 hours for D ≥ 8.0mm) (105°C, 2000 hours for D < 8.0mm)	Capacitance Change	Within ±30% of initial measured value.					
	DF%	Less than 300% of specified value.					
	Leakage Current	Within maximum specified value.					

STANDARD PRODUCT TABLE (dØ X L(mm))

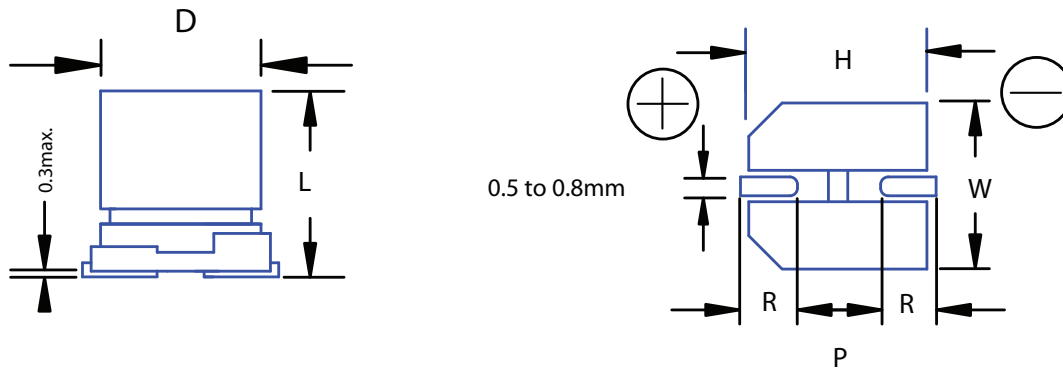
Cap. (μF)	WVDC					
	6.3	10	16	25	35	50
10					5 x 6	6.3 x 6
22			5 x 6	5 x 6	6.3 x 6	6.3 x 6
33		5 x 6		6.3 x 6		6.3 x 7.7
47	5 x 6		6.3 x 6	6.3 x 6	6.3 x 7.7	
100	6.3 x 6		6.3 x 6	6.3 x 7.7		
150		6.3 x 6	6.3 x 7.7			
220	6.3 x 7.7		6.3 x 7.7			
330	6.3 x 7.7					

MAXIMUM RIPPLE (mA rms @ 100kHz & 105°C)

Cap. (μF)	WVDC					
	6.3	10	16	25	35	50
10					95	70
22			95	95	140	70
33		95		140		100
47	95		140	140	230	
100	140		140	230		
150		140	230			
220	230		230			
330	230					

MAXIMUM IMPEDANCE (Ω @ 100kHz & 20°C)

Cap. (μ F)	WVDC					
	6.3	10	16	25	35	50
10					1.30	2.00
22			1.30	1.30	0.70	2.00
33		1.30		0.70		1.35
47	1.30		0.70	0.70	0.60	
100	0.70		0.70	0.60		
150		0.70	0.60			
220	0.70		0.60			
330	0.60					



DIMENSIONS (mm)

D +0.5	L \pm 0.3	W \pm 0.2	H \pm 0.2	R	P \pm 0.2
5.0	6.0	5.3	5.3	2.1 ~ 2.5	1.4
6.3	6.0	6.6	6.6	2.35 ~ 2.75	2.2
6.3	7.7	6.6	6.6	2.35 ~ 2.75	2.2