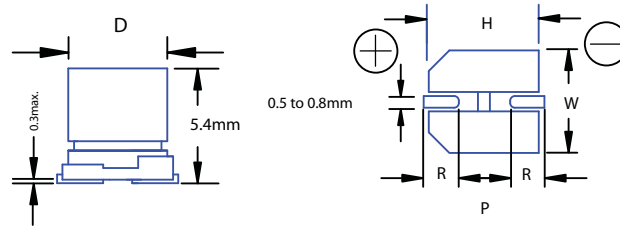


FEATURES

- LOW PROFILE 5.4mm HEIGHT
- BI-POLAR
- LIFE UP TO 500 HRS. X 2 ALT.
- DESIGNED FOR AUTOMATIC MOUNTING
- SOLVENT RESISTANT



PART NUMBERING

Part Number Example: **MXNW-025/100M6X5TR13F G**

MXNW	-	025	/	100	M	6X5	TR	13	F	G
Type		Rated DC Voltage		Capacitance Code (μF)*	Tolerance Code	Size	Package Code**	Reel Size	RoHs Compliant	pb Free

* Capacitance Code: First two digits represent significant figure, third digit represents multiplier (number of zeros).
** Package Code: TR = Tape & Reel.

SPECIFICATIONS

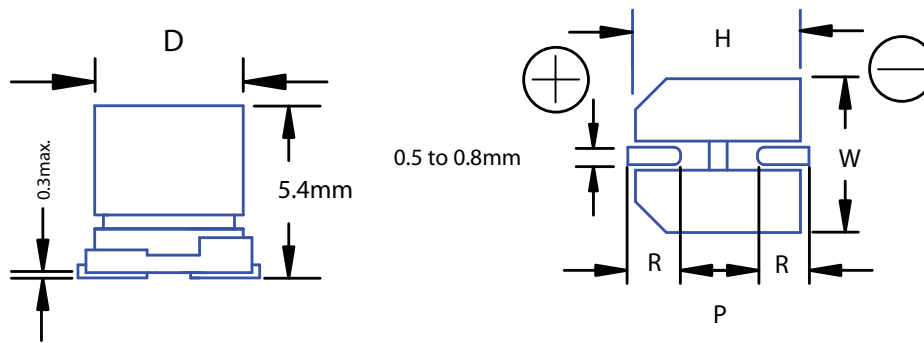
Performance Characteristics								
Operating Temperature Range	-55°C ~ +105°C.							
Voltage Range	6.3VDC ~ 63VDC.							
Capacitance Range	0.1μF ~ 47μF.							
Capacitance Tolerance	±20%.							
Maximum Dissipation Factor (20°C, 120Hz)	Rated Voltage (WVDC)	6.3	10	16	25	35	50	63
	DF%	24	22	20	20	20	18	16
Maximum Leakage Current (20°C) (after 2 minutes)	0.01CV.							
Load Life Test (105°C, 500 hours x2 alternately)	Capacitance Change	Within ±25% of initial measured value.						
	DF%	Less than 200% of specified value.						
	Leakage Current	Within maximum specified value.						

STANDARD PRODUCT TABLE (dØ X L(mm))

Cap. (μF)	WVDC						
	6.3	10	16	25	35	50	63
0.10						4 x 5.4	4 x 5.4
0.22						4 x 5.4	4 x 5.4
0.33						4 x 5.4	4 x 5.4
0.47						4 x 5.4	4 x 5.4
1.0						4 x 5.4	4 x 5.4
2.2					4 x 5.4	5 x 5.4	5 x 5.4
3.3				4 x 5.4	5 x 5.4	5 x 5.4	6.3 x 5.4
4.7			4 x 5.4	5 x 5.4	5 x 5.4	6.3 x 5.4	6.3 x 5.4
10		4 x 5.4	5 x 5.4	6.3 x 5.4	6.3 x 5.4		
22	5 x 5.4	6.3 x 5.4	6.3 x 5.4				
33	6.3 x 5.4	6.3 x 5.4	6.3 x 5.4				
47	6.3 x 5.4						

MAXIMUM RIPPLE (mA rms @ 120HZ & 105°C)

Cap. (μF)	WVDC						
	6.3	10	16	25	35	50	63
0.10						0.7	0.7
0.22						1.6	1.6
0.33						2.4	2.4
0.47						3.5	3.5
1.0						7	7
2.2					5.9	10	10
3.3				7	12	13	13
4.7			8	13	14	16	16
10		12	17	20	21		
22	22	25	27				
33	27	30	10				
47	33						



DIMENSIONS (mm)

D +0.5	W ± 0.2	H ± 0.2	R	P ± 0.2
4.0	4.3	4.3	1.8 ~ 2.2	1.1
5.0	5.3	5.3	2.1 ~ 2.5	1.4
6.3	6.6	6.6	2.35 ~ 2.75	2.2