


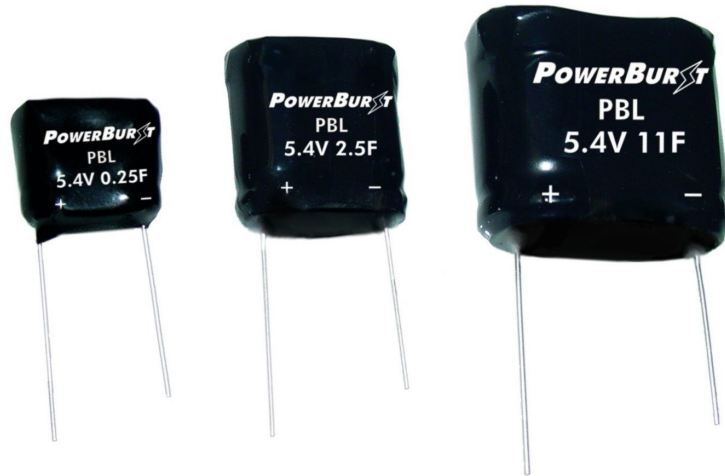
FEATURES

- Small size and low-resistance
- Passive linear voltage balanced cells
- Quick charge & discharge
- RoHS compliant
- UL recognized 



APPLICATIONS

- Pulse power demand
- Hybrid battery packs
- Portable Electronic Devices



PART NUMBERING

Part Number Example: PBL-5.0/5.4			
PBL	-	5.0	/ 5.4
Type		Capacitance Code (F)	Module Voltage

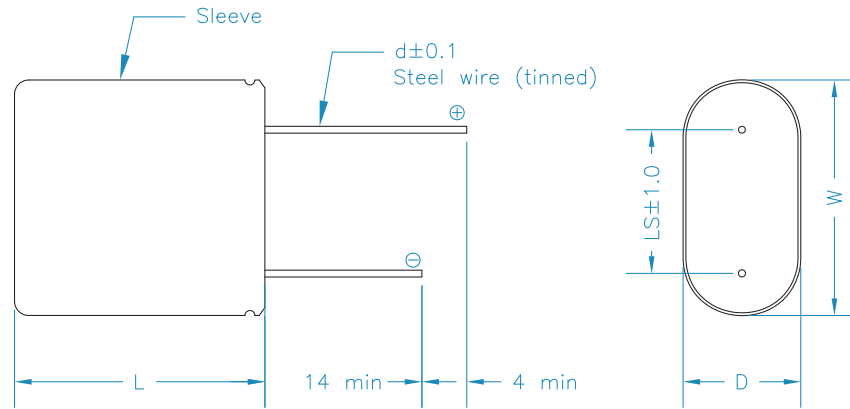
SPECIFICATIONS

Item	Performance		
Operating temperature	-40°C to +65°C		
Storage temperature	-40°C to +70°C		
Rated voltage	5.4 VDC		
Surge voltage	5.7 VDC		
Capacitance range	0.25F to 15F		
Capacitance tolerance	-10/+20%		
Characteristics at low temperature	Capacitance Change	Within ±5% of initial measured value at +25°C(-40°C to +65°C)	
	Internal resistance	Within ±50% of initial measured value at +25°C(at -40°C)	
Lifetime at 25°C	10 years	Capacitance change	±30 % of initial rated value
		Internal resistance	Within 2 times of initial specified value
Cycle life at 25°C	500,000 cycles	Capacitance change	±30 % of initial rated value
		Internal resistance	Within 2 times of initial specified value
Endurance	After 1000 hours. application of 5.4V DC at 65°C, the capacitor shall meet the following limits:		
	Capacitance change	±30% of initial rated value	
	Internal resistance	Within 2 times of initial specified value	
Shelf life	After 1000 hours storage, at 70°C without load, the capacitor shall meet the specified endurance limits		

DIMENSIONS



Units = mm



STANDARD PRODUCTS

Part Numbers	CAP (F)	ESR/DC (m ohm)	ESR/AC 1 kHz (m ohm)	Leakage Current (mA/72 hrs)	Dimension (mm)				
					D (max)	L (max)	W (max)	d	LS
PBL-0.25/5.4	0.25	3700	1400	0.08	9.5	18	19	0.6	12.0
PBL-0.5/5.4	0.5	1400	630	0.08	9.5	18	19	0.6	12.0
PBL-0.75/5.4	0.75	860	380	0.08	9.5	19	19	0.6	12.0
PBL-1.0/5.4	1	760	380	0.09	9.5	21	19	0.6	12.0
PBL-1.65/5.4	1.65	580	300	0.18	11	25	22	0.6	15.4
PBL-2.0/5.4	2	410	210	0.19	11	25	22	0.6	15.4
PBL-2.5/5.4	2.5	340	200	0.19	11	25	22	0.6	15.4
PBL-3.0/5.4	3	260	140	0.19	11	25	22	0.6	15.4
PBL-4.0/5.4	4	200	120	0.19	11	30	22	0.6	15.4
PBL-5.0/5.4	5	150	100	0.20	11	35	22	0.6	15.4
PBL-11/5.4	11	90	60	0.58	13.5	39	27	0.8	20.3
PBL-15/5.4	15	70	50	0.62	17.5	37	35	0.8	24.1